

# EUROfase

## Andson, Outdoor, 13", Satin Nickel-Sand Black Mix, Fro...

Item No.  
50047-024

JOB NAME:

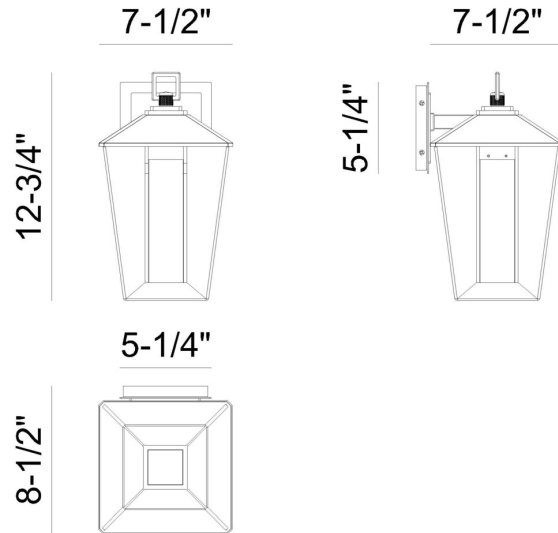
DATE:

TYPE:

COMMENTS:



50047-024



### LIGHT INFORMATION

Light Type	Integrated LED
Bulb Socket	N/A
Bulb Shape	N/A
Bulb Included	N/A
CRI	90
Delivered Lumens	918
Colour Temperature (Kelvin)	3000K
Average Hours LED (L70)	52000
Number of Lights	1
Light Direction	Ambient
Dimming Method	Triac/Elv
Output Voltage	12
Current Type	DC

### LIGHT INFORMATION (CONT'D.)

Light Wattage	14
Total Wattage	14

### DIMENSIONS & WEIGHT

Product Width (In)	7.5
Product Height (In)	12.75
Product Ext (In)	8.38
Product Diameter (In)	
Product Weight (Lbs)	7.87
Product Length (In)	

### INSTALLATION

Mounting Type	J-Box
Mounting Location Rating	Wet (IP65)

### PRODUCT FINISH

Finish: Satin Nickel-Sand Black Mix

### SHADE FINISH

Shade Finish: Frosted

### PRODUCT FEATURES

