

EUROfase

Sternn, Outdoor, 15", Travertine, Clear Wave Glass

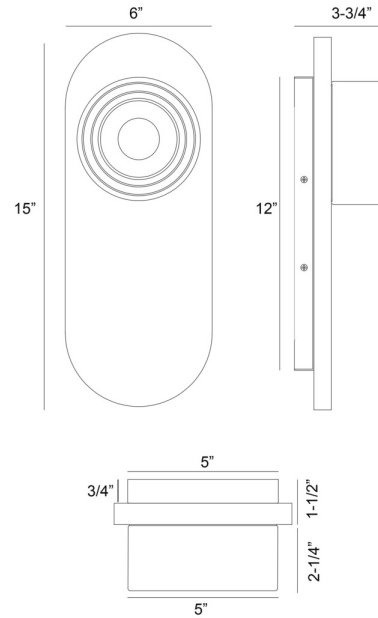
Item No.
50272-020

JOB NAME:

DATE:

TYPE:

COMMENTS:



LIGHT INFORMATION

Light Type	Integrated LED
Bulb Socket	N/A
Bulb Shape	N/A
Bulb Included	N/A
CRI	90
Delivered Lumens	477
Colour Temperature (Kelvin)	3000K
Average Hours LED (L70)	52000
Number of Lights	1
Light Direction	Ambient
Dimming Method	Triac
Output Voltage	24
Current Type	AC

LIGHT INFORMATION (CONT'D.)

Light Wattage	10
Total Wattage	10

DIMENSIONS & WEIGHT

Product Width (In)	5.91
Product Height (In)	15
Product Ext (In)	3.7
Product Diameter (In)	
Product Weight (Lbs)	8.22
Product Length (In)	

INSTALLATION

Mounting Type	J-Box
Mounting Location Rating	Wet (IP65)

PRODUCT FINISH

Finish: Travertine

SHADE FINISH

Shade Finish: Clear Wave

PRODUCT FEATURES

