



# ELIOPJX00LR



## Fulham's Link: an external PIR Sensor

- PIR occupancy detection sensor
- Built in daylight harvesting
- Plug and play: RJ12 connection
- Compatible only with Fulham SmartBridge
- RoHS
- Suitable for IP20 Locations

## General Specifications

Input Voltage	5V <sub>DC</sub>
Input Current	1mA(Max)
Operation Ambient Temperature Rang	0°C to 60°C (32°F to 140°F)
Operating Relativity Humidity Range	0-90%
Max. Case Temperature per certification	63°C
Sound Rating	A
Service Life	50,000 hours
RFI/EMI	FCC PART 15B CONSUMER
Approvals/Class	cULus Listed, CE, FCC type 15B, RoHS
Location/IP Rating	Suitable for Dry Location/ IP20 (when mounted directly onto luminaire using threaded nut)
Occupancy Detection Angle	62°
Occupancy Detection Area	Max 17m
Daylight Harvesting Type	Ambient Light Sensor
Interface	RJ12 (45 push-in port)



# ELIOPJX00LR

## Graphs

Figure 1- Detection pattern

H	X	Y
10' (3.04m)	12' (3.65m)	12' (3.65m)
20' (6.09m)	24' (7.31m)	24' (7.31m)
30' (9.14m)	36' (10.9m)	36' (10.9m)
40' (12.1m)	48' (14.6m)	48' (14.6m)

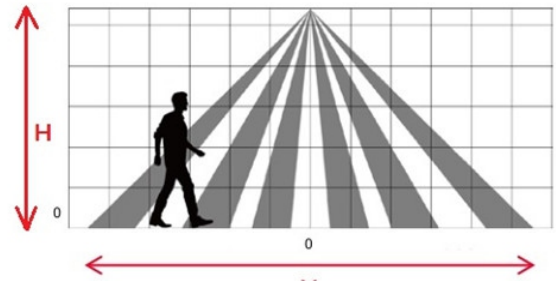
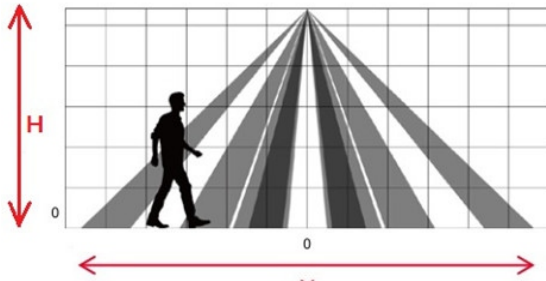
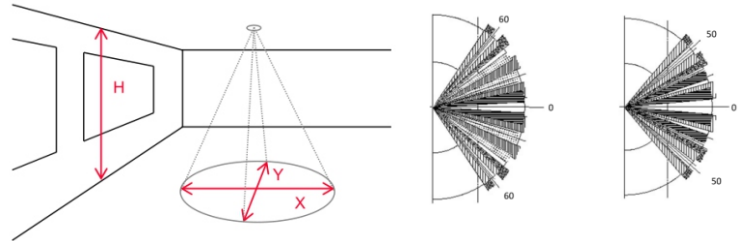
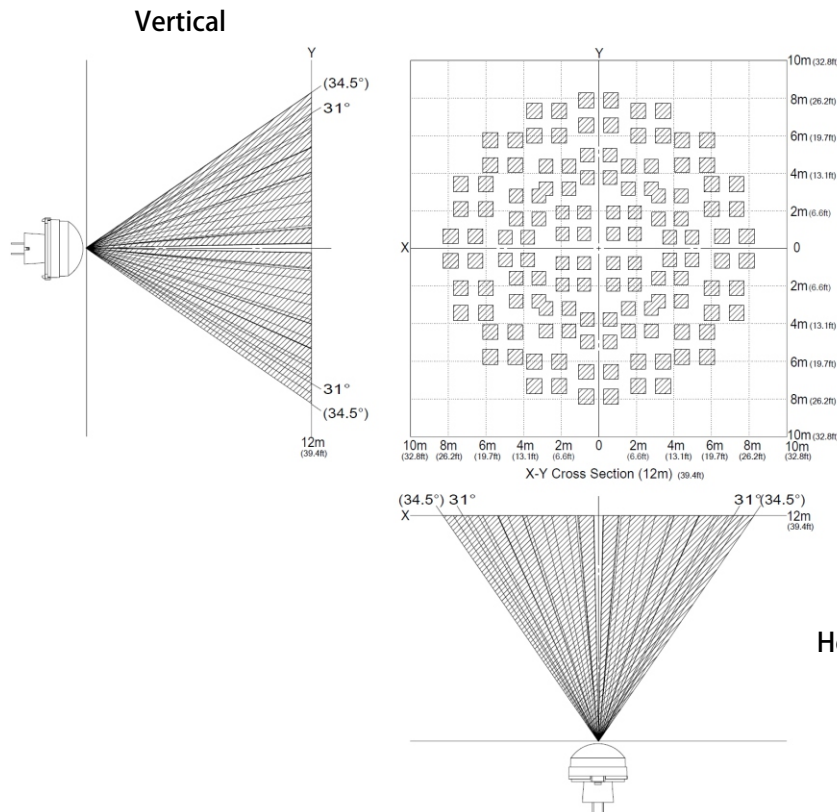


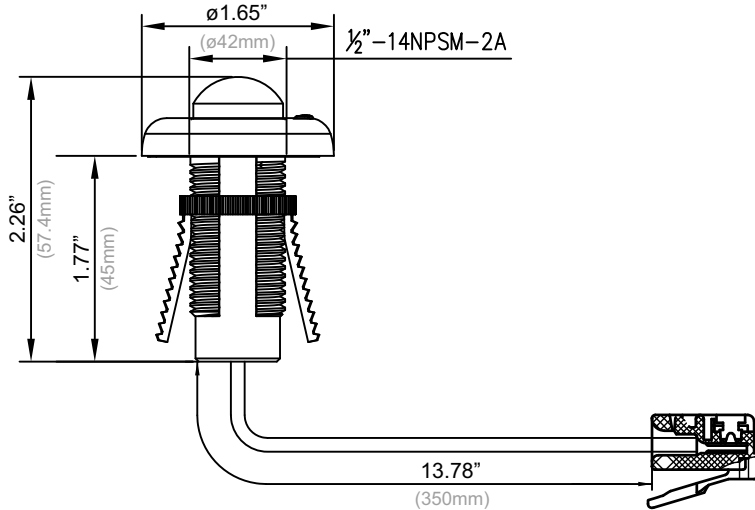
Figure 2 - Detection Area





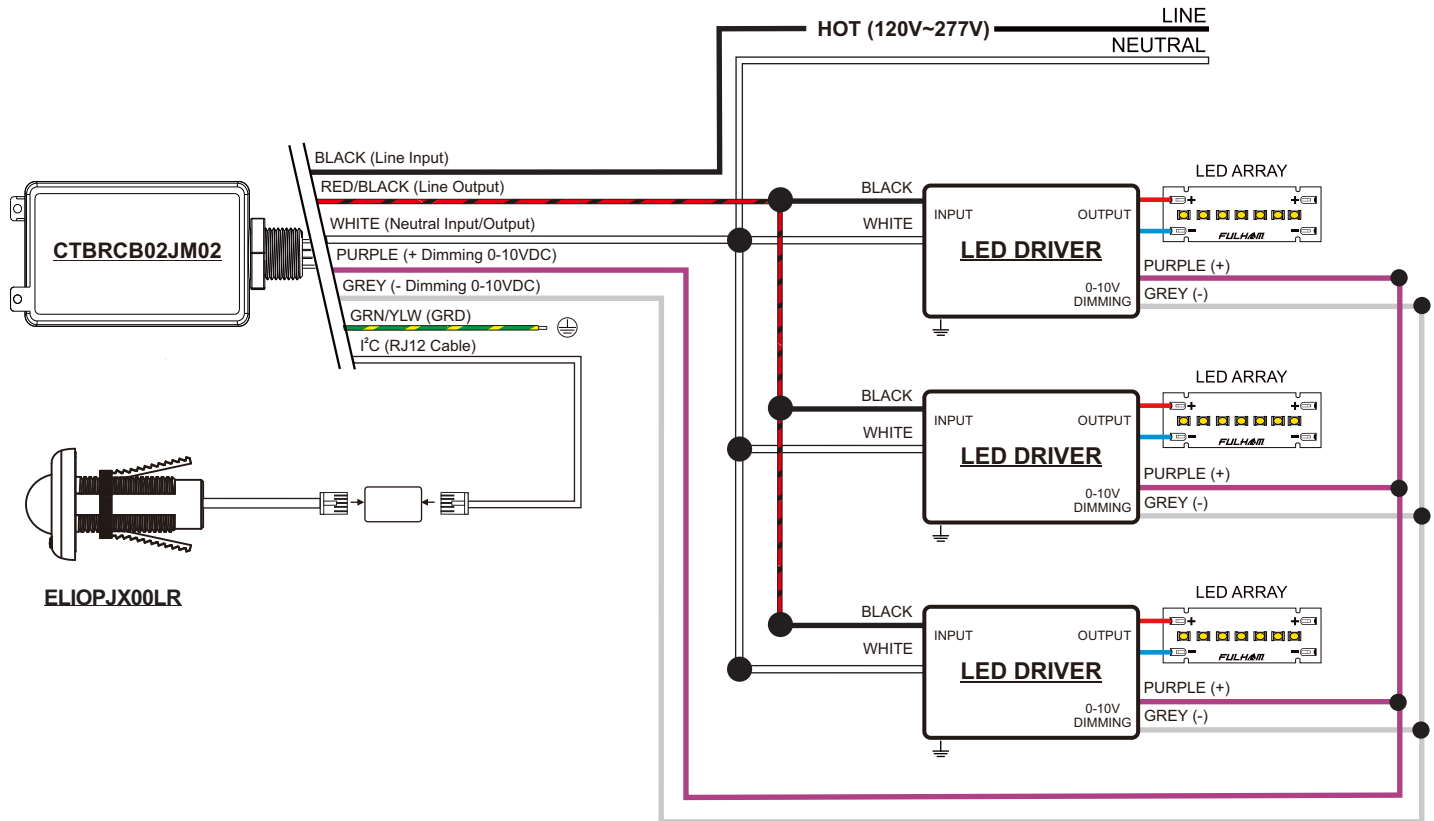
# ELIOPJX00LR

## Mechanical Drawings



Overall Dimensions	
Diameter	1.65" (42mm)
Height	2.44" (62mm)
Wire Length	
RJ12 Wire (White)	13.78" (350m m)

## Wire Diagram



### NOTES :

1) This driver must be installed by a licensed electrician

### FCC Caution:

This device complies with part 15 of the FCC Rules. Operation is subject to the following two conditions:  
 (1) This device may not cause harmful interference, and (2) this device must accept any interference received, including interference that may cause undesired operation.  
 Any Changes or modifications not expressly approved by the party responsible for compliance could void the user's authority to operate the equipment.



# ELIOPJX00LR



---

## Guidelines

### Compatible

- Only compatible with Fulham SmartBridge.

---

### Warranty

- Reference Fulham's limited Warranty: <https://cdn.fulham.com/PDFs/Limited-Warranty.pdf>

---

### FCC Caution

- This device complies with part 15 of the FCC Rules. Operation is subject to the following two conditions:  
(1) This device may not cause harmful interference, and (2) this device must accept any interference received, including interference that may cause undesired operation.
- Any changes or modifications not expressly approved by the party responsible for compliance could void the user's authority to operate the equipment.



# ELIOPJX00LR



## Accessories

### Bluetooth Mesh Controller

Fulham Part Number: **CTBRCB02JM02**



## Fulham Application Information

Reference Fulham's commissioning guide: <https://www.fulham.com/PDFs/eliteBlue-commissioning-manual.pdf>



# ELIOPJX00LR



## Part Number Matrix

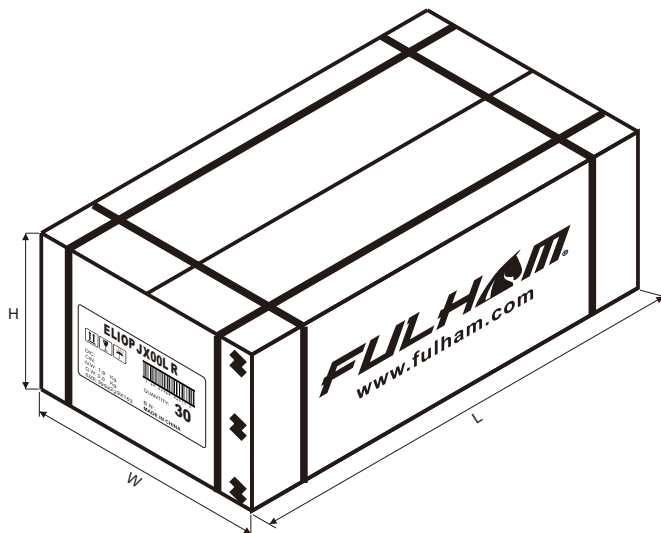
<b><u>E</u></b>	<b><u>L</u></b>	<b><u>I</u></b>	<b><u>OP</u></b>	<b><u>J</u></b>	<b><u>X</u></b>	<b><u>00</u></b>	<b><u>LR</u></b>
<u>Lighting Control</u>	<u>Subfamily</u>	<u>Primary Protocol &amp; Powering</u>	<u>Primary Control Channels</u>	<u>Package</u>	<u>Secondary Protocol &amp; Powering</u>	<u>Secondary Control Channels</u>	<u>Detection Range</u>
E = EliteControl	L = Link	I = I <sup>2</sup> C / I <sup>2</sup> C Bus Powered	01 = 1 Channel	J = J-Box Mount (Conduit Male fitting connector)	X = None	00 = None	LR = Long Range

## Product Image: External PIR Sensor



## Packaging

Master Carton



OUTER DIMENSION		
L	W	H
15.71"(399mm)	9.02"(229mm)	6.42"(163mm)
Net Weight	Gross Weight	QUANTITY
4.19 lbs. (1.9 kg)	6.61 lbs. (3.0 kg)	30pcs