

LED Linear Pendant

LP12945
INSTALLATION SHEET

START FROM HERE

- Make sure power is completely off at the fuse box.
- Have your fixture installed by a qualified licensed electrician
- Prepare everything in a clear area.
- Wear gloves at all times during this installation.
- Read instructions carefully before you start assembly.
- Keep this instruction sheet for future reference.

Technical Support: 1-877-452-6858

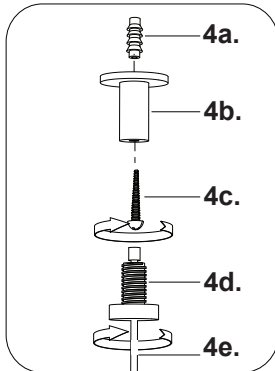
Please Note:

- All Kuzco LED fixtures come with pre-wired LED module(s).
- Unless instructed to do so, please do not touch any part of the LED module(s) as any unnecessary contact with the module could cause permanent damage.
- For dimming, an ELV (Electronic Low Voltage) type of dimmer is required.

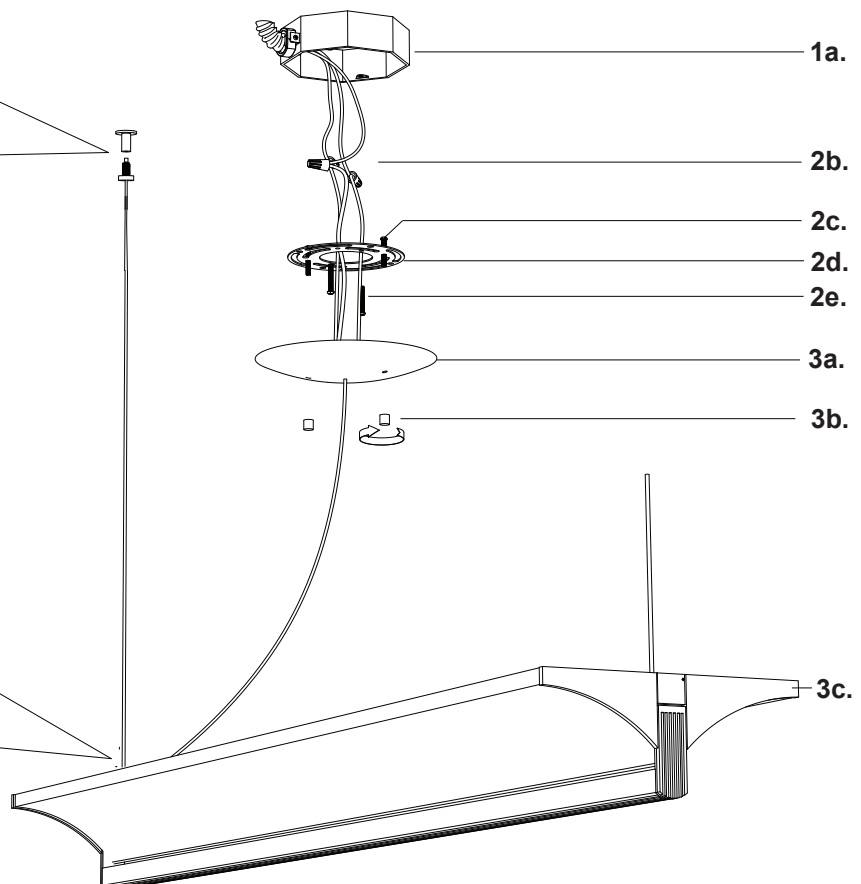
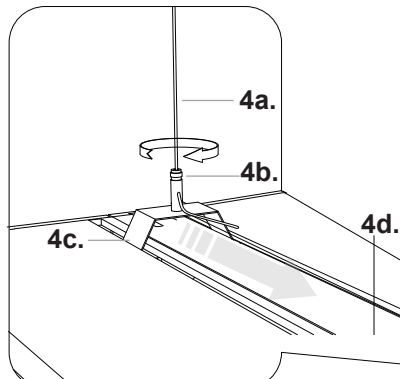
CAUTION: HEAVY FIXTURE, THE JUNCTION BOX NEEDS TO BE REINFORCED BEFORE INSTALLATION. ALL MOUNTING SCREWS MUST SCREW INTO WOOD A MINIMUM OF 1" BEHIND THE DRYWALL. DO NOT MOUNT THIS FIXTURE JUST TO DRYWALL. (Be sure all wood that you screwed into, is secured to the cross beams/ceiling joists behind the drywall)

- 1.** Remove the fixture from it's original packaging. Remove the canopy mounting plate (**2d**) from within the canopy (**3a**) by removing the decorative nuts (**3b**). Secure the mount plate (**2d**) (with canopy screws facing downward) to the reinforced junction box (**1a**) using the two screws (**2e**) provided to secure the mounting plate to the junction box (**1a**).
- 2.** To secure the fixture cables remove the caps (**4b**) from the cup anchor (**4d**) and screw the cap to the ceiling using 2" screw (**4c**). Reinforce with plastic anchors (**4a**) to a solid backing. Next pull up the anchor cups (**4d**) to the caps (**4b**) and thread clockwise. Set the length of your fixture **Illustration 02** up to 52". With the cable (**4a**) needed through the pin (**4b**) and pull, turn the head nut clockwise to tighten and counter clockwise to loosen. As desired, slide the clip (**4c**) along the top track (**4d**).
- 3.** You are now ready to mount the canopy (**3a**) to the mounting plate (**2d**). First connect all wires (**2b**) correctly, black to black "L", white to white "N" and the ground to ground with the provided marrets from the hardware package. Align the threaded screws (**2c**) hanging downward from the mounting plate (**2d**) to the holes inside the canopy (**3a**). Push the canopy up towards the ceiling so the two screws (**2c**) point through the holes in the ceiling. You can then screw on the decorative nuts (**3b**) onto the threaded studs pointing through the canopy. This will secure the canopy to the mounting plate.
- 4.** You have now completed the installation of your fixture, enjoy.

detail illustration 01



detail illustration 02



KUZCO
LIGHTING

19054 28th Avenue Surrey, BC Canada V3S 6M3
T: 604 538 7162 TF: 1-855 85 KUZCO F: 604 538 7196
W: kuzcolighting.com
20160416