

BELFAST
88292BN
 TRACK

PROJECT

DESCRIPTION

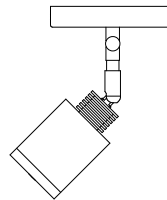
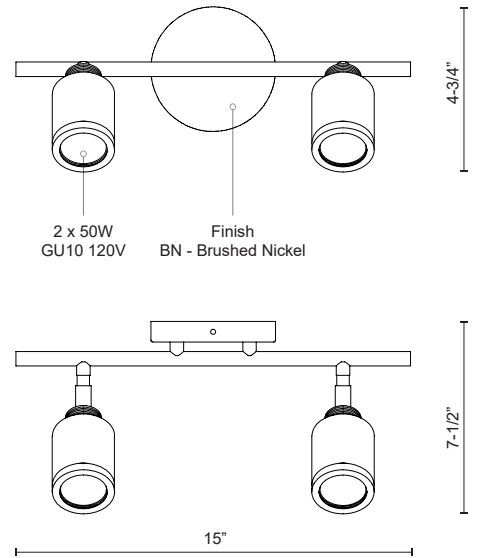
Two lamp fixed track with heavy gauge steel head and brushed nickel finish.



SPECIFICATION DETAILS

* For custom options, consult factory for details.

Fixture Dimensions	L15" x W4-3/4" x H7-1/2"
Lamp Type	Halogen, GU10
Bulbs Included	No
Wattage	2 x 50W
Voltage	120V
Diffuser Details	Clear Glass
Location	Dry
Warranty	5 Years
Canopy Dimensions	D4-3/4" x H5/8"



KUZCO

19054 28TH AVENUE
 SURREY - BC V3Z 6M3
 CANADA

WWW.KUZCOLIGHTING.COM

COMMENT

