

JAX
CH51020-CH
CHANDELIERS

PROJECT



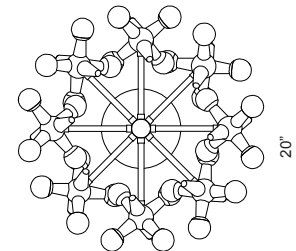
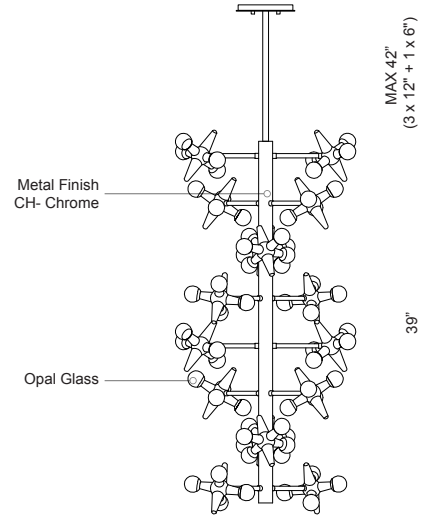
DESCRIPTION

Eight layers with two Jax's on each layer which helix around a polished chrome steel cylinder. Each individual Jax has four LED lights. each LED is covered by an elegant round white opal glass. Truly an amazing piece provided with our powerful 120V AC LED technology

SPECIFICATION DETAILS

* For custom options, consult factory for details.

Fixture Dimensions	H39" x D20"
Light Source	LED
Wattage	175W
Total Lumens	11520lm
Delivered Lumens	CH-7984lm
Voltage	120V
Color Temperature	3000K
CRI (Ra)	>90
Optional Color Temps	2700K - 5000K Available, Minimum Order Quantities Apply
LED Rated Life	50,000 hours
Dimming	100% - 10%, ELV Dimmer (Not Included)
Glass Details	White Opal Glass
Adjustable	Yes
Rod Length	42" Max (3x12" + 1x6")
Location	Dry
Warranty	5 Years
Product Adaptor	ADP001CH, Sold Separately
Canopy Dimensions	D6-3/8" x E3/4"



COMMENT

KUZCO

19054 28TH AVENUE
 SURREY - BC V3Z 6M3
 CANADA

WWW.KUZCOLIGHTING.COM

