

C69203/C69205

INSTALLATION INSTRUCTIONS SHEET

START FROM HERE

- Make sure power is completely off at the fuse box.
- Have your fixture installed by a qualified licensed electrician
- Prepare everything in clear area.
- Wear gloves at all times during this installation.
- Read instructions carefully before you start assembly.
- Keep this instruction sheet for future reference.

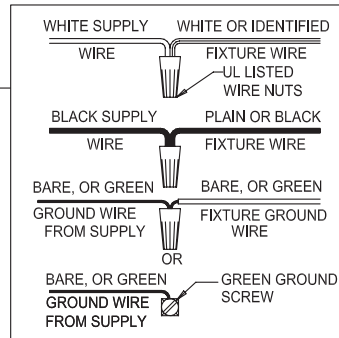
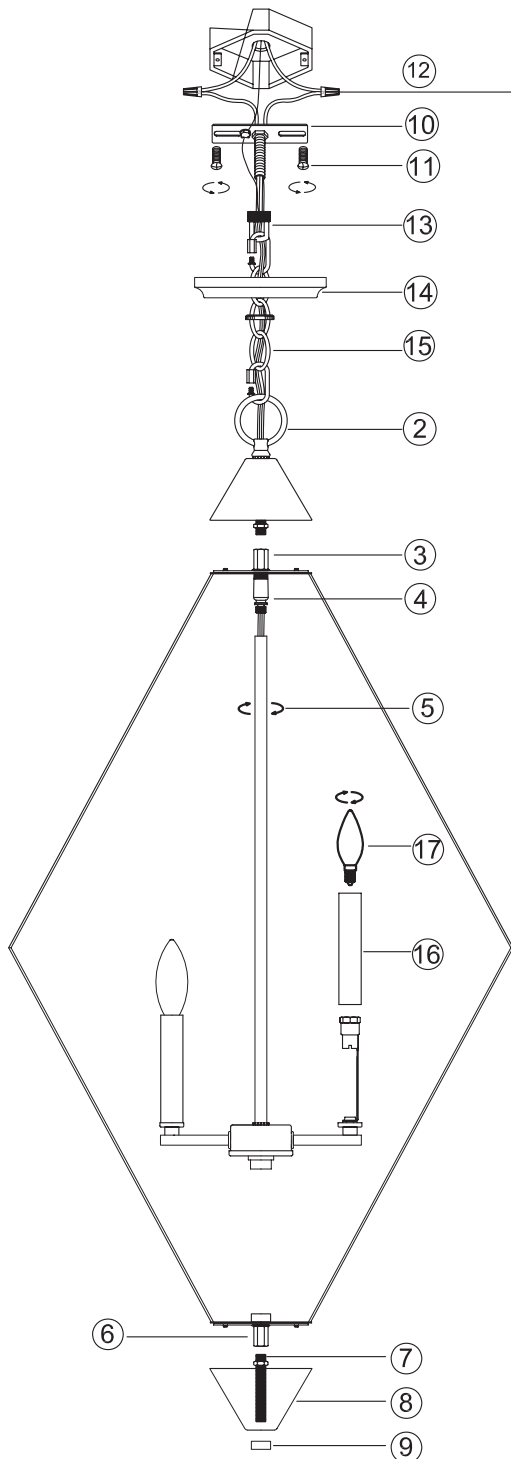
Technical Support: 1-844-628-8368

Please Note:

- All Matteo Lighting fixtures come with pre-wired module(s).
- Unless instructed to do so, please do not touch any part of the module(s) as any unnecessary contact with the module could cause permanent damage.

THIS LUMINAIRE MUST BE MOUNTED OR SUPPORTED INDEPENDENTLY OF AN OUTLET BOX

CE LUMINAIRE NE DOIT PAS ETRE MONTE SUR UNE BOITE DE SORTIE NI SUPPORTE PAR UNE TELLE BOITE



- 1 Ensure main supply is switched off.
- 2 Lock the loop(2) to the nipple(3) tightly.
- 3 Lock the rod(5) to the moving joint(4).
- 4 Lock the nipple(7) to the joint part(6), screw to tight using nut, and screw the cone cover(8) to the nipple tightly using finial.
- 5 Installing screws(11) through the mounting bracket(10), lock to the ceiling.
- 6 Connect wires according to color (White to White, Black to Black). Connect all earth plug together onto the crossbar with green screw to tight.
- 7 Put the candle sleeve(16) on the socket, install bulb firmly into lampholders (blubs not provided).
- 8 Reconnect power.