

PROJECT NAME: \_\_\_\_\_  
 NOTES: \_\_\_\_\_

CAT. #: \_\_\_\_\_  
 FIXTURE SCHEDULE: \_\_\_\_\_

## 120-277V Network Power Pack



NPP-300W



NPPSL-PSW

### c-Max Overview

c-Max Network lighting controls features a patent pending plug-and-play interface that allows for easy field installation of low voltage nodes and sensors to create an affordable luminaire lighting control solution. Sensors integrated with occupancy, daylight harvesting, and other control capabilities help achieve energy code compliance.

### Features

- Luminaire Level Lighting Control (LLLC) enabled with wireless bluetooth technology
- Easy Commissioning with c-Max App (Available in IOS and Android)
- Local Bluetooth Network with no gateway needed
- Individual Addressability and/or Grouping (Lesser of Up to 300W or 8 units whichever comes first)
- Ability to create scenes for more customized dimming scenarios
- High-Trim/Tuning sets the maximum light level based on customer requirements in each space
- NPP-300W can be used as a standalone, or in conjunction with an Occupancy PIR Sensor (NPPSL-PSW, Item sold separately)
- 5 Year Warranty

### Applications:

Ideal for retrofit applications with existing 0-10V LED luminaires:

- Downlights
- Pendant Lights
- Lowbays/Highbays
- Track Lighting

### Ordering Information

MODEL NUMBER	ORDER CODE
NPP-300W	106318
NPPSL-PSW	107788

### Specifications

	NPP-300W
OPERATING VOLTAGE	120-277V
MAXIMUM LOAD	2.5A, 300W Max. for LED driver only
POWER CONSUMPTION	5W
LOAD SWITCHING	Zero-cross Hybrid Switching
CONTROL TECHNOLOGY	BLE Control Node/Optional PIR
CONTROL OUTPUT	0-10V
SINKING CURRENT	25mA
AUX POWER OUTPUT	12Vdc 200mA
RADIO FREQUENCY	2.4GHz ± 75MHz
WIRELESS STANDARD	BLE 4.2 MESH IEEE 802.15.1
PROGRAMMING	c-Max Mobile App (IOS and Android)
CYBERSECURITY	UL1376 Bronze Rating Pending
ENCRYPTION	AES 128-bit
MESH RANGE	100ft node-to-node and 50ft node-to-device (Commissioning)
SAFETY	cULus Listed E511069 Light-emitting-diode Controllers
FCC	FCC ID: 2AZRDCMAX2021
OPERATING TEMPERATURE	-40°F to 130°F / -40°C to 55°C
OVERALL DIMENSIONS	81.8mm x 43.4mm x 31.75 mm
COLOR	White
WEIGHT	2.75oz

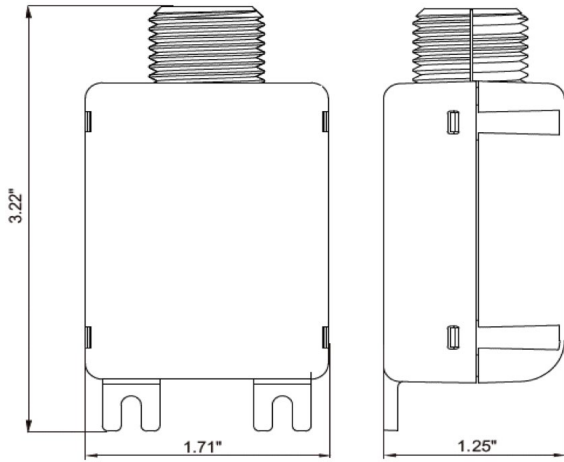


5-year standard warranty (further details available at [www.maxlite.com/warranties](http://www.maxlite.com/warranties)) Product may be eligible for a warranty extension to 10 years, for an additional fee. Contact MaxLite for details.

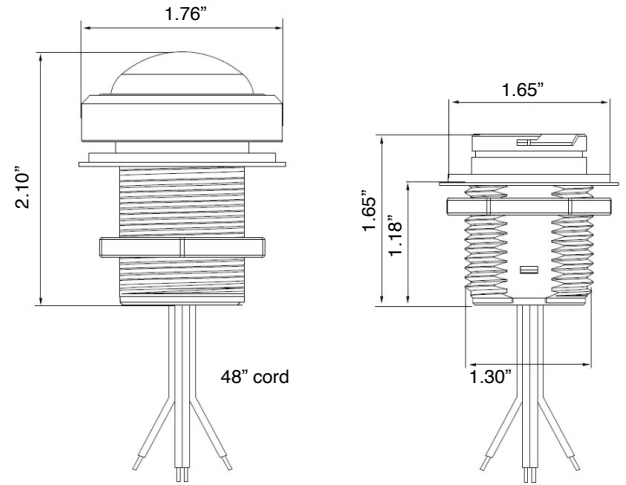
## 120-277V Network Power Pack

### Product Dimensions

NPP-300W

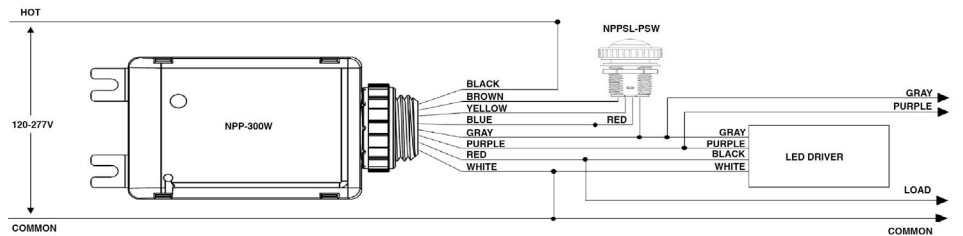
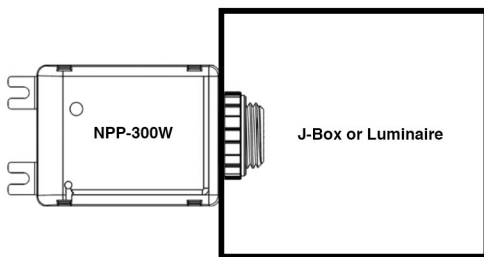


NPPSL-PSW

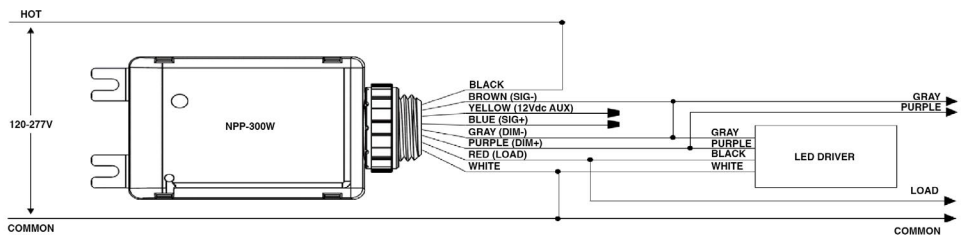
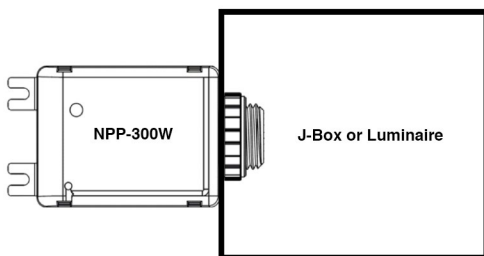


### Wiring Diagrams

WIRING DIAGRAM WITH NPPSL-PSW\*



WIRING DIAGRAM WITHOUT NPPSL-PSW\*



\*NPP-300W must be externally mounted to a junction box or luminaire.

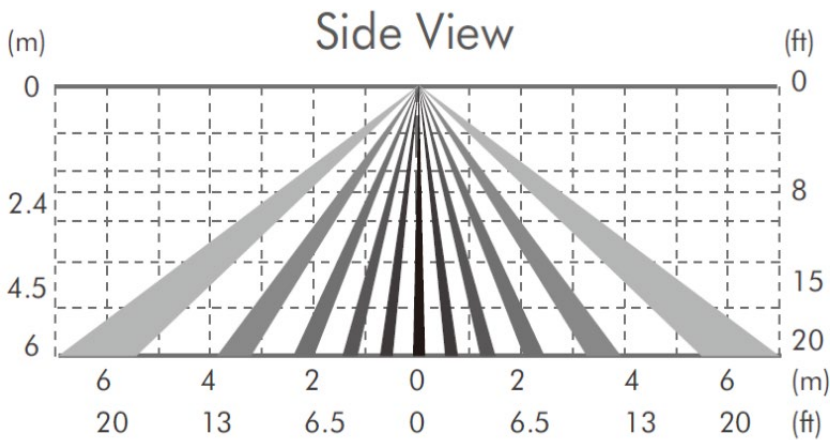
# 120-277V Network Power Pack

## PIR Sensor Features

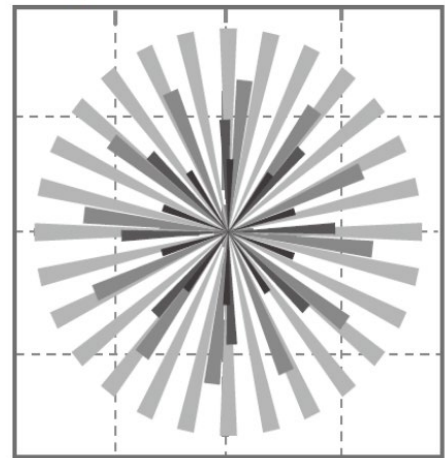
CONTROL TECHNOLOGY	Occupancy PIR
INFRARED SENSOR	Omni-directional quad element pyroelectric
CONTROL OUTPUT	0-10V
DETECTABLE SPEED	1-10 ft/sec (0.3-3 m/sec)
MOUNTING HEIGHT	Up to 20ft
DETECTION RANGE	Up to 40ft Diameter
OPERATING TEMPERATURE	-40°F to 158°F
FCC	FCC ID: 2AZRDCMAX2021
WARRANTY	5 Years
OVERALL DIMENSIONS	53.34mm x 44.66mm
COLOR	White
WEIGHT	3oz

## Detection Coverage

NPPSL-PSW



Top View



MOUNTING HEIGHT	ft (m)	8' (2.4)	10' (3)	15' (4.6)	20' (6)
MAX COVERAGE DIAMETER	ft (m)	8' (2.4)	10' (3)	15' (4.6)	20' (6)

## Commissioning

c-Max mobile App makes it easy to pair devices, create groups, set scenes/schedules, customize dimming levels, and adjust high trim based on application needs.

Visit [www.maxlite.com/cmax](http://www.maxlite.com/cmax) for How-to-Videos and a comprehensive commissioning guide.

