

Project : _____
 Type : _____
 Drawn by : _____
 Catalogue No. : _____
 Date : _____



Specifications

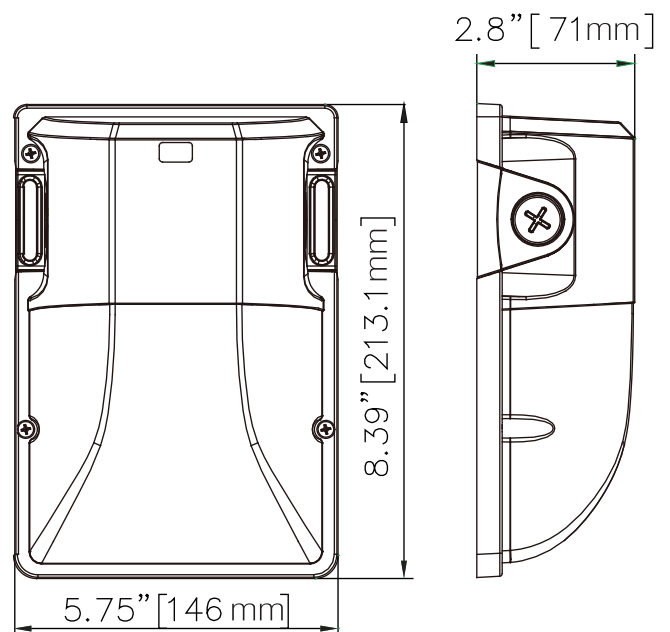
Model No.		VO-MWP30W-347-3WAY
General	Watts	30W/25W/18W
	Lumen	120-347V
	CCT	3500/4000/5000K
	VOITS	2160-3600LM
	CRI	Ra 70
	DISTRIBUTION	Semi-Cutoff
	Hours Rated	50,000 hours
Electrical	Operating Frequency	50/60Hz
	Power Factor	≥0.9
	Surge Protection	L-N : 2KV ; L,N-GND : 4KV
	Operating Temperature	-40°C/-40°F ~ 45°C/113°F
Physical	Housing	ADC12+PC
	Lens Material	PC
	Housing Color	Bronze
	Weight (Kg)	0.65
	IK Rating	IK04
Additional Information	Function	Built-in Photocell
	Additional Info	CCT+Power adjustable
	Rated For Enclosed Fixture	Yes
	Warranty	5 year
Compliance	Safety Listing	CUL
	Location Rating	Wet
	DLC Approved	Yes / Under application

Features & Specifications

Construction	<ul style="list-style-type: none"> • Die-cast aluminum cooling design, high quality and better cooling for LED Tj < 85°C • Excellent optics design, greatly improve the light utilization and evenness • Built-in Photocel
Mounting	<ul style="list-style-type: none"> • Wall Mount
Performance Data	<ul style="list-style-type: none"> • Available in 3500K/4000K/5000K Selectable • Electrical ratings: 120-347 VAC • High luminous efficiency and long working life • 0-10V dimming driver • Estimated life of over 50,000hrs
Compliances	<ul style="list-style-type: none"> • CUL certified for wet locations • IP 65

Dimensions & Weights

Model No.	VO-MWP30W-347-3WAY
Length in.(mm)	8.39 inch (213.1mm)
Wide in.(mm)	5.75 inch (146mm)
Height in.(mm)	2.8 inch (71mm)
Net Weight lbs.(Kgs)	0.65 kgs(1.43)



Product Details



Lumen Details

Model No.:	Watt	3500K	4000K	5000K
VO-MWP30W-347-3WAY	30W	3600LM	3600LM	3600LM
	25W	3000LM	3000LM	3000LM
	18W	2160LM	2160LM	2160LM



Data is based upon tests performed in a controlled environment. Actual performance can vary depending on operating conditions. All products are subject to change or may be discontinued any time without notice. Please contact your Votatec customer service representative to confirm inventory levels at time of order

